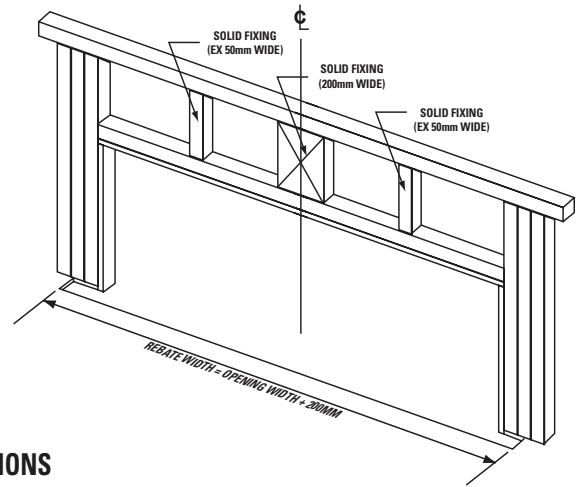
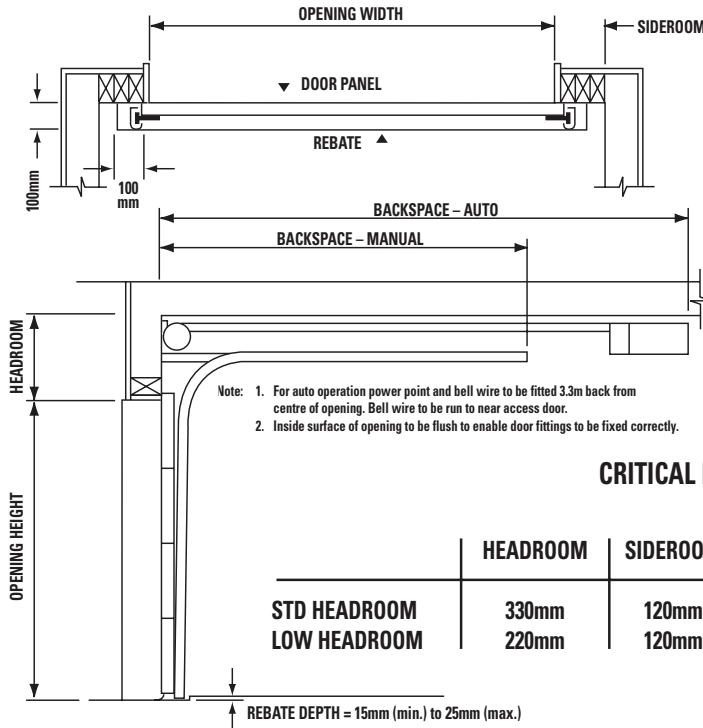


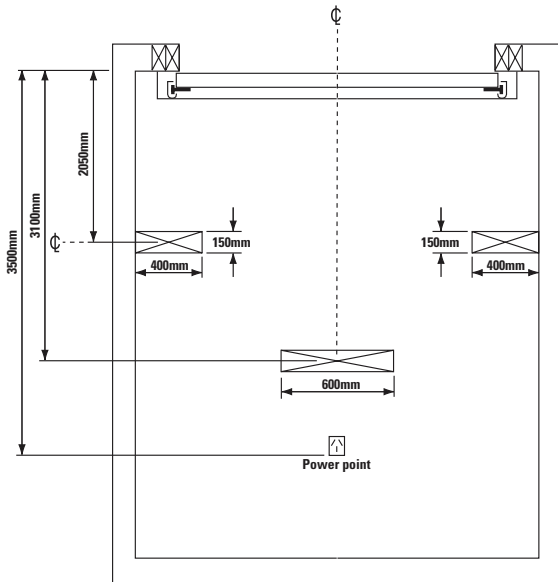
Sectional Panelift



CRITICAL DIMENSIONS

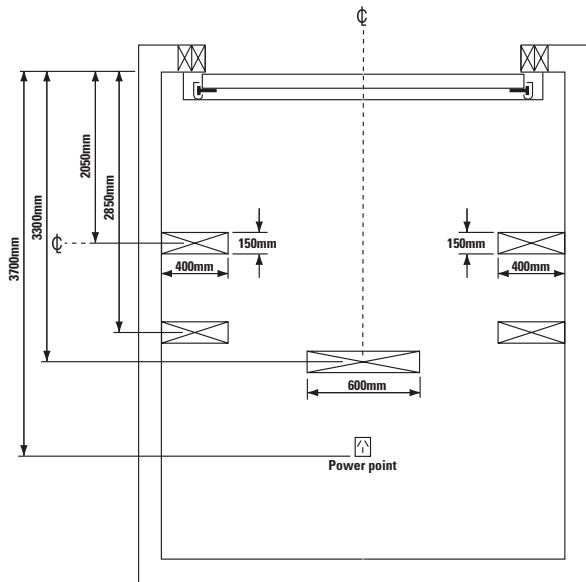
	HEADROOM	SIDEROOM	BACKSPACE	
			MANUAL	AUTO
STD HEADROOM	330mm	120mm	DOOR HEIGHT + 150mm	DOOR HEIGHT + 1.0m
LOW HEADROOM	220mm	120mm	DOOR HEIGHT + 150mm	DOOR HEIGHT + 1.0m

NOGGING DETAIL FOR SECTIONAL UP TO 2.28M HIGH (TRACK AND MOTOR FIXINGS)



Note: The details shown are for 2.28m Maximum height Sectional Door with Standard 330mm Headroom. Also for Intermediate Headroom of 220mm with springing to front.

NOGGING DETAIL FOR SECTIONAL 2.3 – 2.75M HIGH (TRACK AND MOTOR FIXINGS)



Note: The details shown are for 2.75m Maximum height Sectional Door with Standard 330mm Headroom. Also for Intermediate Headroom of 220mm with springing to front. Measurements for motor with 2.5m C-Rail, add 1m when using a 1m extension.